



BAUER

FOR A GREEN WORLD

RAINSTAR A

The multi-talented Pro for a wide variety of applications



RAINSTAR A



RAINSTAR A1 and A2 – the Universal Talents

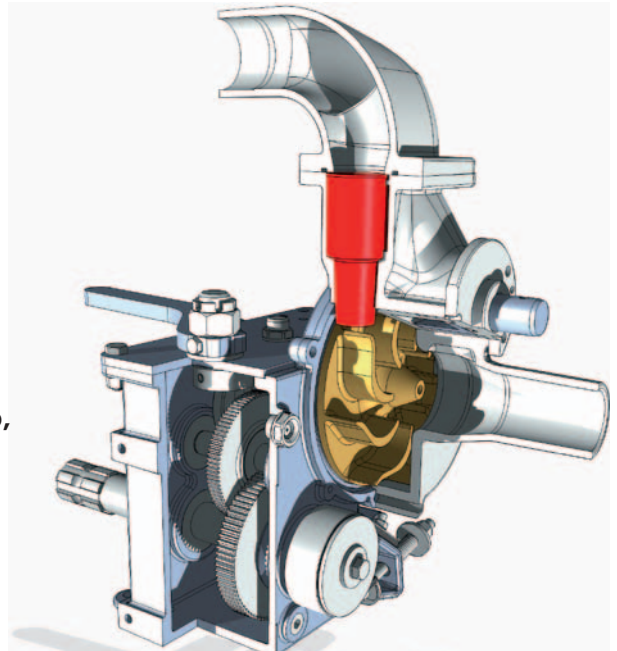
Easy handling, optimal output and innovative technology make the new A-Series irrigation machines from BAUER ideal for a wide variety of applications such as Sports facilities, parkland, schools, golf courses, garden centers, cemeteries, etc.

The same philosophy of quality, technology, and precision applied to our larger RAINSTAR units used in agriculture can also be found in the A-Series models.

Highest value due to an extraordinary price-performance ratio, best irrigation efficiency and wide range of applications. Quick and easy swiveling of the reel into its required working position is easily done by only one person due to a 3-wheel chassis and automatic gun trolley lift.

The compact series in a modern design

- RAINSTAR A1 and A2 with long-lasting BAUER PE-pipe
- Hot-galvanized pipe reel and chassis
- Drive unit with new BAUER turbine/gearbox combination
- Automatic gun cart lift



NEW

Powerful, compact BAUER turbine/gear box combination for RAINSTAR A1 and A2 with precise adjustment and exchangeable nozzles for high efficiency.

RAINSTAR A1 – A2





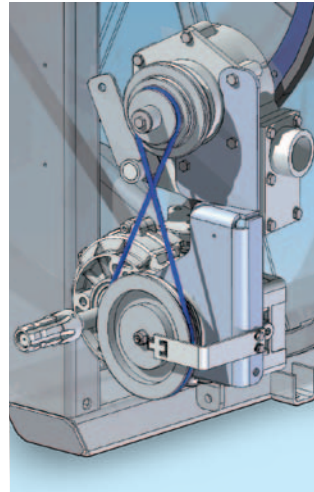
BAUER

FOR A GREEN WORLD

RAINSTAR A3 – largest model in the A-Series is a true Irrigation Specialist

Pro-gardening, Parkland, horticulture, golf courses, sports facilities and model farms – the RAINSTAR A3 multi-tasks in most applications – a smart choice for irrigation.

- RAINSTAR A3 with BAUER specific PE-pipe
- Hot-galvanized pipe reel, turntable and chassis
- Two-wheel gun-trolley with wide-profile tyres. Adapts easily to any crop row spacing. The chassis has a rotating pipe reel and integrated leg supports
- Drive system is BAUER full-flow turbine
- 3 Speed adjustable V-belt transmission
- Mechanical speed regulator with automatic pipe layering compensator
- Speed-change gearbox with PTO winding system
- Power transmission is via precision chain drive
- Automatic gun-trolley lift
- Automatic final shut-off device
- PE-pipe rewind system with precision rewind shaft and strong support chassis
- Single axle chassis with universal variable track width ranging from 1000 – 1500 mm



Compact Drive Unit

The compact drive unit includes the BAUER full-flow turbine, the V-belt transmission and speed change gearbox.

This unit offers the optimum in economy and operating efficiency. Power transmission to the pipe reel is via a strong high-quality chain and precision laser-cut toothed gear elements. This optimised design offers extremely low pressure loss and high efficiency power output.



RAINSTAR A3



RAINSTAR A3 with 3-wheel option and booster pump





Convincing arguments for successful irrigation



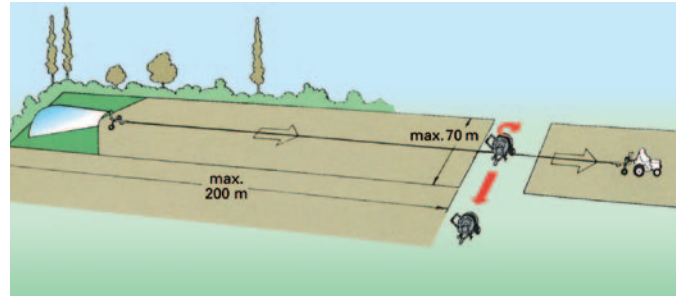
Booster pump (optional)

With additional tank for approx. 12 hours of operation. Powered by Honda engine – directly mounted on the turntable.



Gun trolley

Automatic gun trolley lift at the end of irrigation strip – simple adjustment of the track width – for rain guns as well as for boom carts (A3).



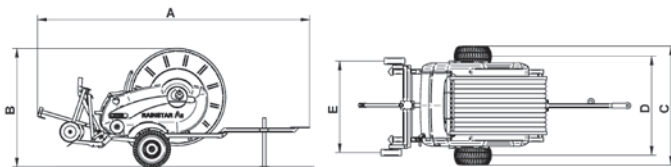
Use scheme

To swivel the RAINSTAR A reel to the required working position is simple and easily undertaken by one person. Gives high operating efficiency maximising working hours. From a single position, irrigation can be undertaken in two directions.

Technical Data

Specification									
RAINSTAR model	Type	PE pipe Ø mm	PE pipe length m	Strip width m	Consumption m ³ /h	Nozzle sizes mm	Connection press bar	Weight kg	
								with water	less water
A1	40 - 135	40	135	28 - 38	3.0 - 7	7 - 10	3.2 - 8	389	269
	43 - 125	43	125	30 - 50	4.0 - 10	7 - 12	3.2 - 8	393	268
A2	50 - 135	50	135	28 - 54	3.2 - 13	7 - 14	3.2 - 8	526	341
	55 - 120	55	120	30 - 58	4.0 - 16	8 - 16	3.2 - 8	546	351
	58 - 115	58	115	32 - 62	5.0 - 20	9 - 16	3.2 - 8	568	353
A3	55 - 170	55	170	38 - 57	7.5 - 18	10 - 16	4.0 - 8	792	515
	63 - 125	63	125	38 - 62	7.5 - 20	10 - 16	4.0 - 8	778	512
	63 - 150	63	150	38 - 62	7.5 - 20	10 - 16	4.0 - 8	855	537

Dimensions					
Basic model	A mm	B mm	C mm	D mm	E mm
A1	3220	1230	1490	1240	1000 - 1500
A2	3420	1480	1490	1240	1000 - 1500
A3	3550	1690	1730	1250	1000 - 1500



Optional Equipment RAINSTAR A

Automatic over-pressure shut-off valve

Speedometer

Connecting hose

Boom trolley AS 16 with strip width of 32 m (A3)

BAUER wide range sprinkler

Booster pump directly mounted on the turntable



Three RAINSTAR A types

The RAINSTAR A models are available with the long durable BAUER PE pipe in length from 120 m – 170 m. Options are pipe diameters from 40 mm – 63 mm.

Your dealer:

Röhren- und Pumpenwerk BAUER Ges.m.b.H.
8570 Voitsberg, Austria
Tel. +43 3142 200-0
Fax +43 3142 200-320 / -340
sales@bauer-at.com
www.bauer-at.com

A BAUER Group company

