

TAGLINE FILTER SERIES



Irrigation all plastic filters
for flow rates up to 50 m³/h.



- ▶ Easy maintenance: The filter elements can easily be extracted from the filter housing for rinsing.
- ▶ High quality, low pressure loss, no tools required.
- ▶ Wide range of flow rates, multiple filtration degrees, corrosion resistant, various applications, disc element or screen cylinder.



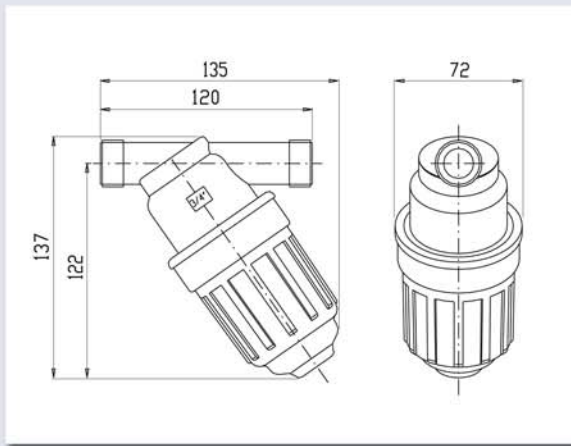
AMIAD FILTRATION SYSTEMS LTD.



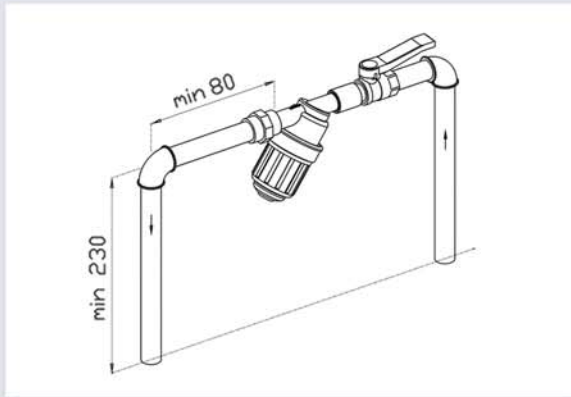
3/4"



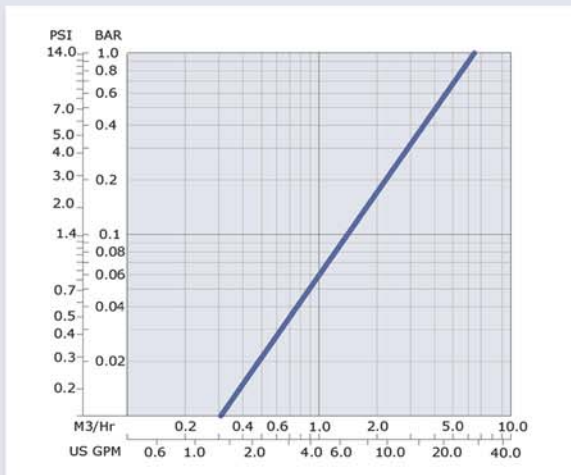
Dimensional drawing



Suggested installation



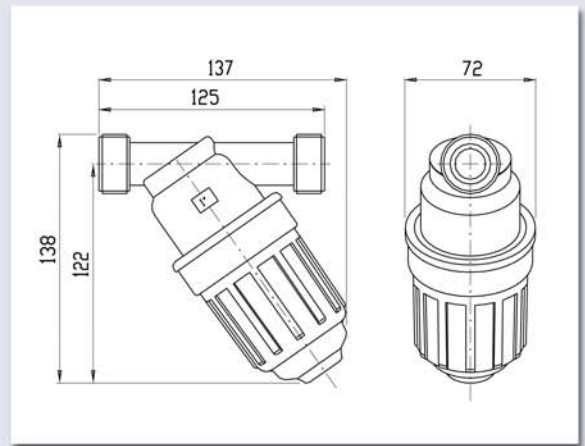
Pressure loss graph



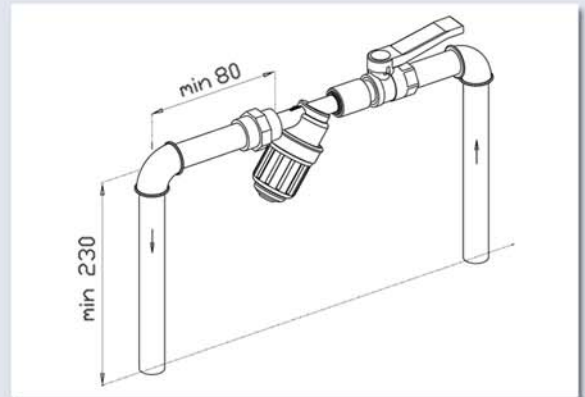
1"



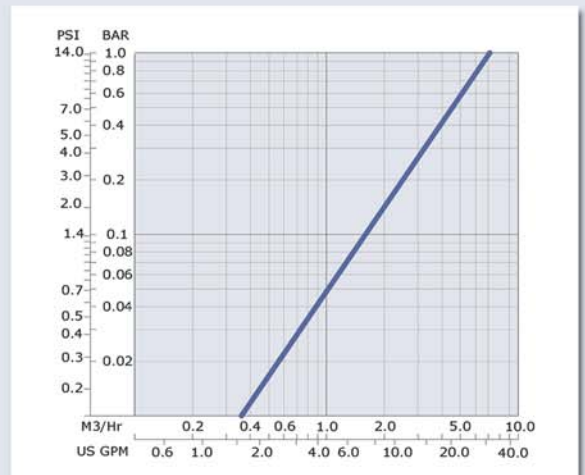
Dimensional drawing



Suggested installation



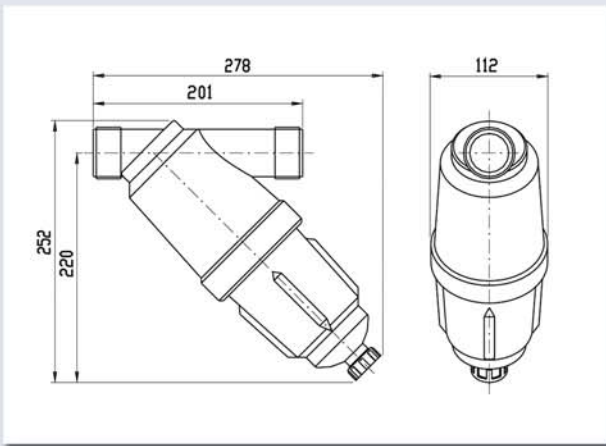
Pressure loss graph



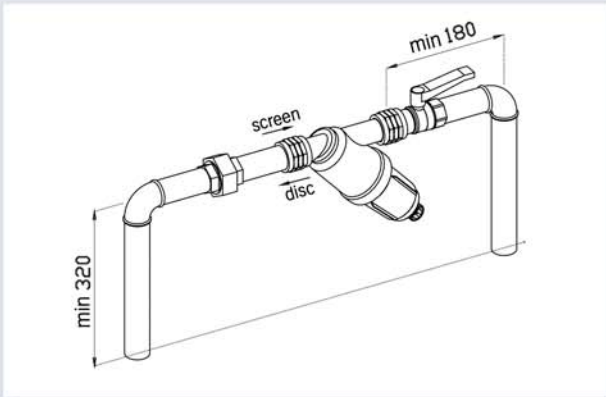
1 1/2"



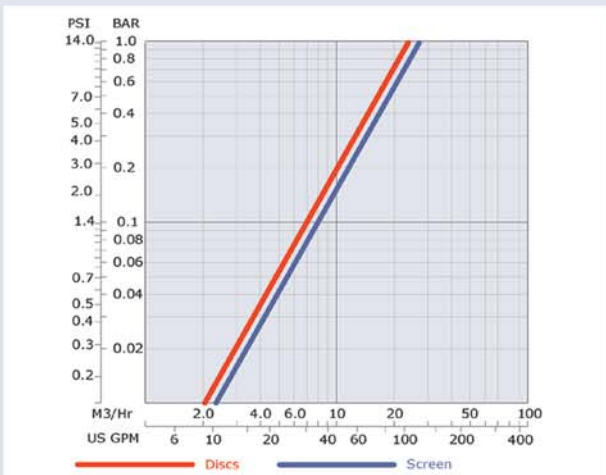
Dimensional drawing



Suggested installation



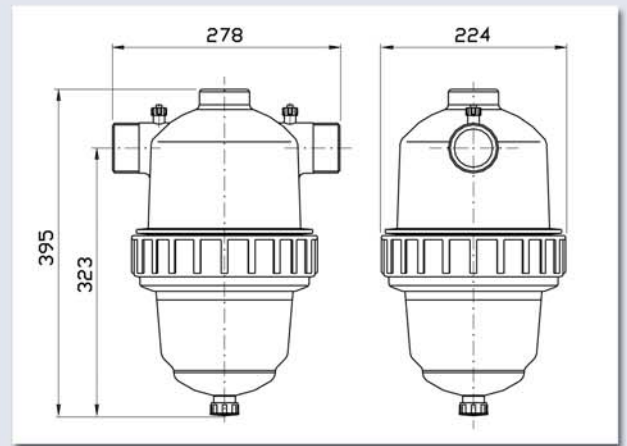
Pressure loss graphs



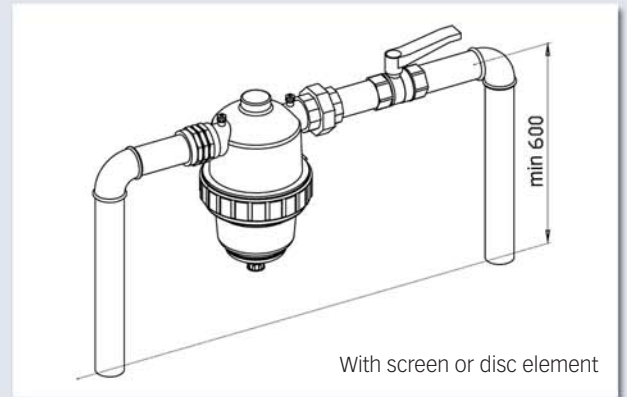
2"



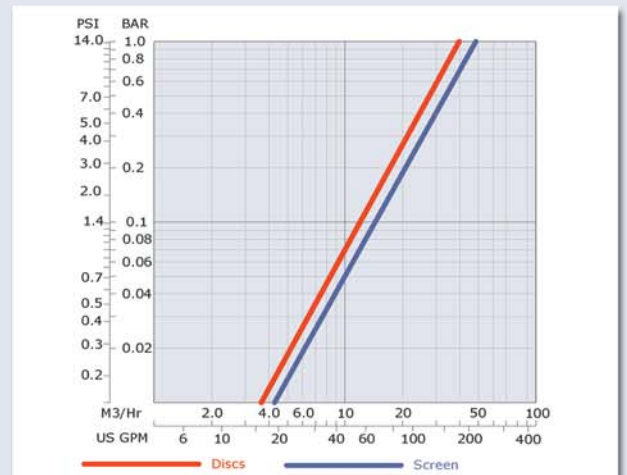
Dimensional drawing



Suggested installation



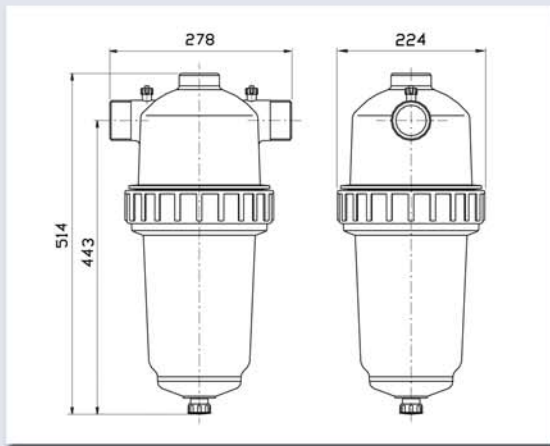
Pressure loss graphs



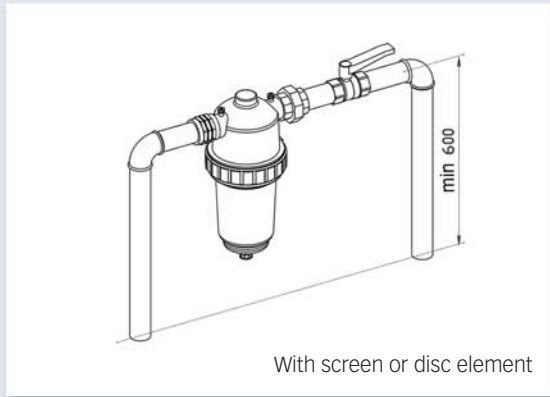
2" -Super



Dimensional drawing

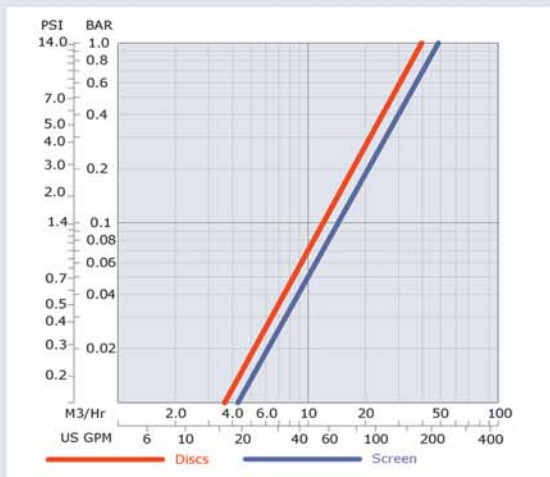


Suggested installation



With screen or disc element

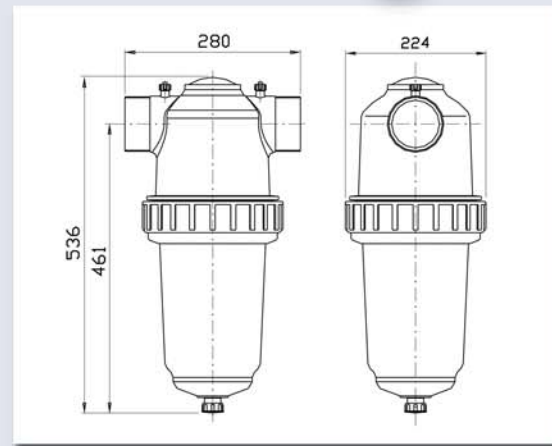
Pressure loss graphs



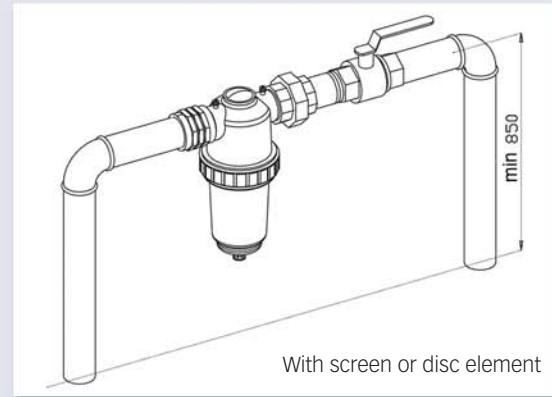
3"



Dimensional drawing

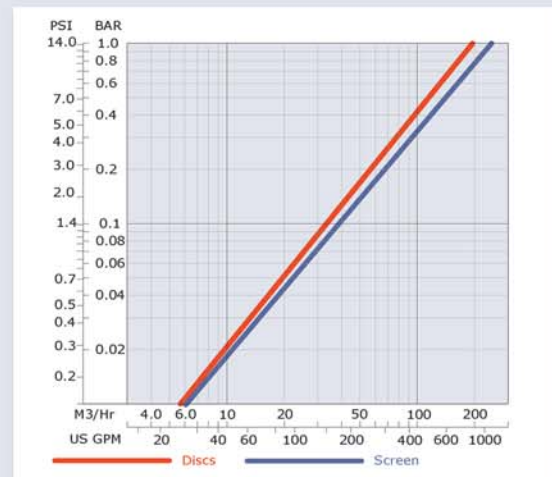


Suggested installation



With screen or disc element

Pressure loss graphs



TECHNICAL SPECIFICATIONS

Filter type	3/4"	1"	1 1/2"	2"	2"-S	3"	
In/Out Ø [mm]	20	25	40	50	50	80	
[inch]	3/4	1	1 1/2	2	2	3	
Maximum flow [m ³ /h]	3	5	15	25	25	50	
Maximum pressure [bar]	8	8	8	8	8	8	
Maximum temp. [°C]	60	60	60	60	60	60	
Filter area [cm ²]	Screen	110	110	340	465	700	700
	Discs	-	-	460	790	1185	1185
Weight [kg]	Screen	-	-	1.0	3.6	4.2	4.5
	Discs	-	-	1.2	4.4	5.4	5.7

Construction materials

Filter type	3/4"	1"	1 1/2"	2"	2"-S	3"
Housing and lid	PP	PP	PP	Polypropylene + Glass Fibers		
Tightening nut	-	-	-	Polypropylene + Glass Fibers		
Housing seal	NBR	NBR	NBR	NBR		
Discs	Construction	-	-	PE	Polyethylene	
	Grooved discs	-	-	PE	Polyethylene	
	Seals	-	-	NBR	NBR	
Screen	Construction	PP	PP	PP	Polyethylene	
	Mesh	Nylon	Nylon	St.St.	St.St.	
	Seals	NBR	NBR	NBR	NBR	

Screen elements

The screen elements are constructed of molded plastic ribs that support a stainless steel weavewire screen or monofil polyester weave screen with filtration degrees from 80 to 300 micron (1).

Suspended solids accumulate on the inside surface of the screen. The screen can be easily removed from the housing to be rinsed manually.

The direction of flow in these elements is from the inside out along the element so that inorganic suspended solids are accumulated mainly at the lower end of the element and can be removed by means of a flush valve. The screen elements are especially suitable for the separation of inorganic particles and create a very low head loss.

The different filtration degrees are color-coded. The cylinder incorporates two O-rings to ensure perfect sealing inside the filter housing.

Disc elements

These elements are constructed from plastic discs that are stacked onto a telescopic core (2). The discs are grooved on both sides. These grooves intersect to form the filtration element when compressed on the core. The disc element provides high retention of organic matter.

The effective filtration area is comprised of both the outside surface and the channels formed by the intersected grooves. Suspended organic particulate adheres to the grooved surface adding the element of depth to the filtration process.

Cleaning the disc element is made simple by the unique design of the telescopic core which allows the discs to separate during the cleaning process. Two O-rings provide perfect sealing inside the filter housing.

Filtration degrees available

Color	Black	Yellow	Red	White	Brown	Blue
Micron	80	100	130	200	250	300
Mesh	200	155	120	75	60	50
3/4", 1"	■ ■	■ ■	■ ■	■ ■		■ ■
1 1/2"	■ ■	■ ■ ■	■ ■ ■	■ ■	■	■ ■
2", 3"	■	■ ■	■ ■	■	■	■

■ Nylon Screen ■ Weave Wire Screen ■ Disc Element





In an increasingly crowded world, the need for clean water concerns everyone involved in sustaining our quality of life. Society and economy cannot exist without water; Because water is life.

For more than 40 years, Amiad has helped meet this need by developing a comprehensive line of exceptionally efficient, automatic self-cleaning filters and manual filters for use in industry, municipalities, and irrigation. Amiad provides solutions in more than 66 countries, with seven subsidiaries and sales offices. Amiad's pledge to the filtration industry is to continue providing innovative and dependable systems, quality service and reliable customer support.

▶ **MANUFACTURER & HEAD OFFICE:**

Amiad Filtration Systems Ltd.

D. N. Galil Elyon 1, 12335, Israel, Tel: 972 4 690 9500, Fax: 972 4 690 9391, E-mail: info@amiad.com

▶ **AUSTRALIA:**

Amiad Australia Pty Ltd., 3/15 Brisbane St. Eltham, 3095, Victoria

Tel: 61 39 439 3533, Fax: 61 39 439 1612, E-mail: amiad@amiad.com.au

▶ **CHINA:**

Taixing Environtec Co. Ltd., 70 Baihe Chang, Xingjie Yixing Jiangsu, 214204

Tel: 86 0510 7134000, Fax: 86 0510 7134999, E-mail: taixing@public1.wx.js.cn

▶ **FAR-EAST:**

Filtration & Control Systems Pte. Ltd., 19B Teo Hong Road, 088330, SINGAPORE

Tel: 65 6 337 6698, Fax: 65 6 337 8180, E-mail: fcs1071@pacific.net.sg

▶ **FRANCE:**

Amiad France S.A.R.L., 31 Boulevard Lefebvre, Paris, 75015

Tel: 33 1 56085522, Fax: 33 1 45302596, E-mail: info@amiadfrance.com

▶ **GERMANY:**

Amiad Filtration Solutions Ltd., Zweigniederlassung Deutschland, Gerstackerstr. 9, D-20459

Tel: 49 40 3609 6770, Fax: 49 40 3609 6765, E-mail: info@amiad.de

▶ **NORTH AMERICA:**

Amiad Filtration Systems, 2220 Celsius Avenue Unit B., Oxnard, 93030, California, USA

Tel: 1 805 988 3323, Fax: 1 805 988 3313, E-mail: info@amiadusa.com

▶ **SOUTH AMERICA:**

Sucursal Sudamerica, Agustín de Urubey 1379, Montevideo, 11300, URUGUAY

Tel: 598 2 628 0927, Fax: 598 2 622 6991, E-mail: amisur@adinet.com.uy

www.amiad.com

AMIAD products undergo constant monitoring for quality control. The manufacturer reserves the right to incorporate changes and improvements in the products without prior notice.

AMIAD FILTRATION SYSTEMS LTD.

